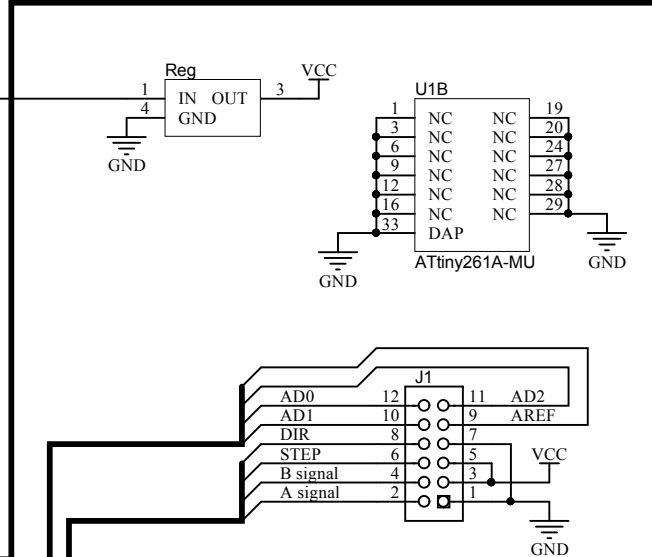
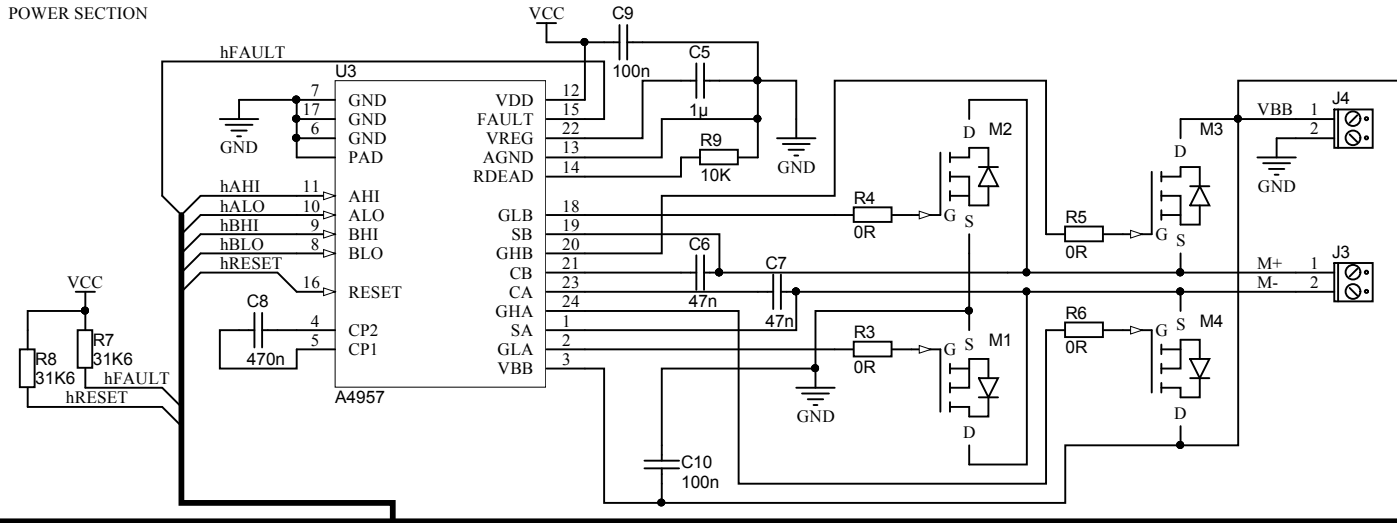
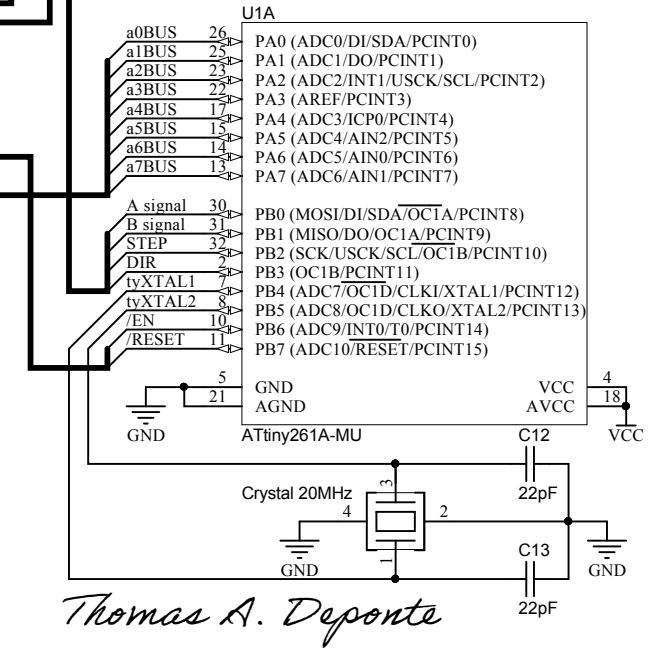
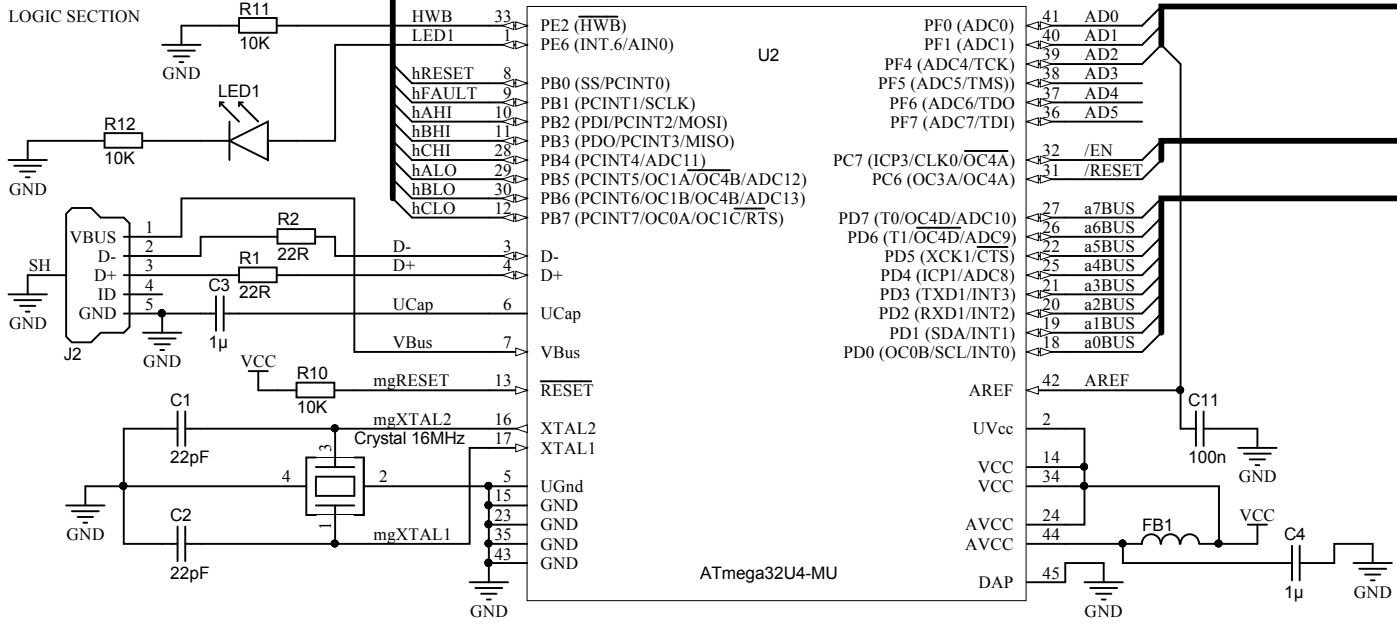


POWER SECTION



LOGIC SECTION



Thomas A. Deponte

Reference Designs ARE PROVIDED "AS IS" AND "WITH ALL FAULTS". FreaKontrol DISCLAIMS ALL OTHER WARRANTIES, EXPRESS OR IMPLIED, REGARDING PRODUCTS, INCLUDING BUT NOT LIMITED TO, ANY IMPLIED WARRANTIES OF MERCHANTABILITY OR FITNESS FOR A PARTICULAR PURPOSE. FreaKontrol may make changes to specifications and product descriptions at any time, without notice. The Customer must not rely on the absence or characteristics of any features or any instructions marked "reserved" or "undefined". FreaKontrol reserves these for future definition and shall have no responsibility whatsoever for conflicts or incompatibilities arising from future changes to them. The product information on the Web Site or Materials is subject to change without notice. Do not finalize a design with this information. FREAKONTROL is a registering pending trademark. USE of the FREAKONTROL name must be compliant with <http://www.freakontrol.com/about/>

Title			
NEO 1.1 schematic by FreaKontrol			
Size	Number	Revision	
A4	0004	1	
Date:	21/10/2015	Sheet 1 of 1	
File:	D:\Desktop\...\Sheet1.SchDoc	Drawn By:	Thomas Axel Deponte